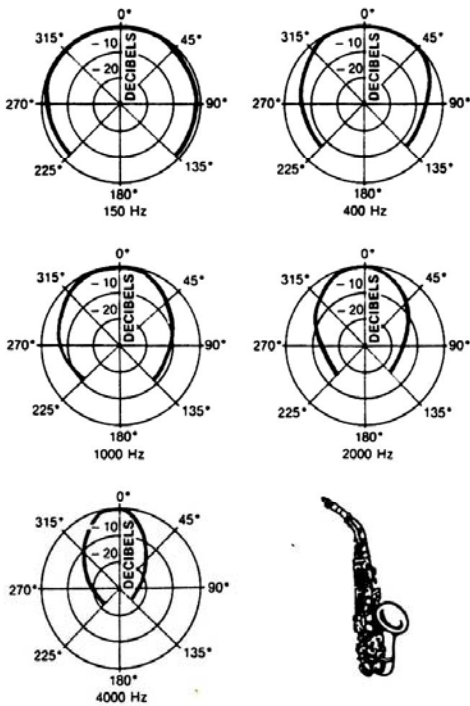
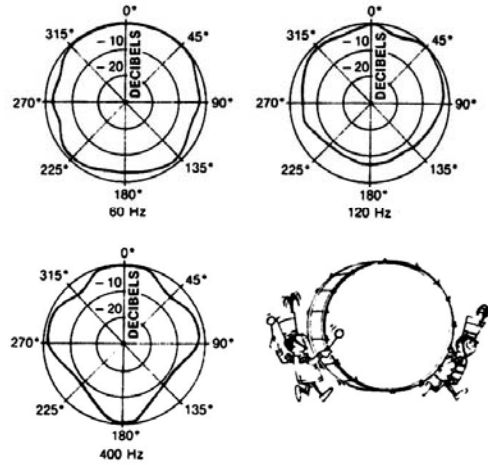


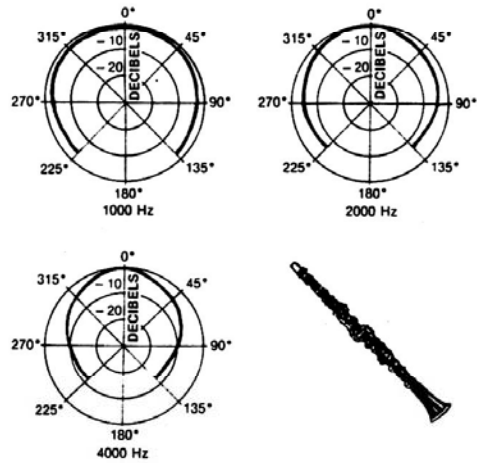
**FIGURE V-6** Directional characteristics of trumpet for five frequencies. (After Martin)



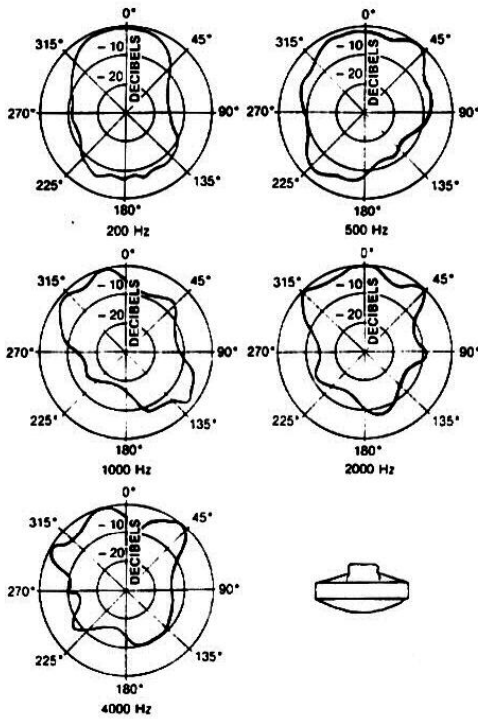
**FIGURE V-7** Directional characteristics of alto saxophone for five different frequencies.



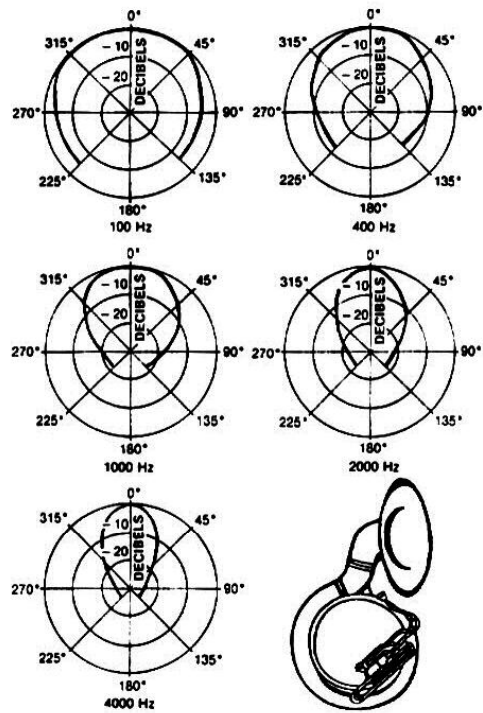
**FIGURE V-8** Directional characteristics of 26-in bass drum for three different frequencies.



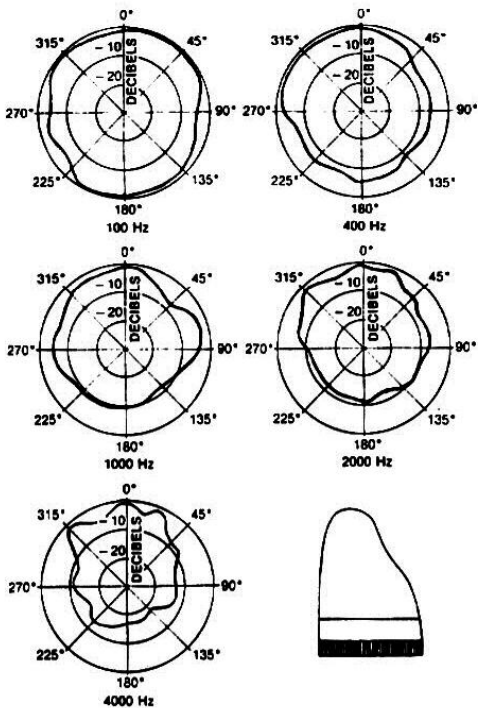
**FIGURE V-9** Directional characteristics of clarinet for three different frequencies.



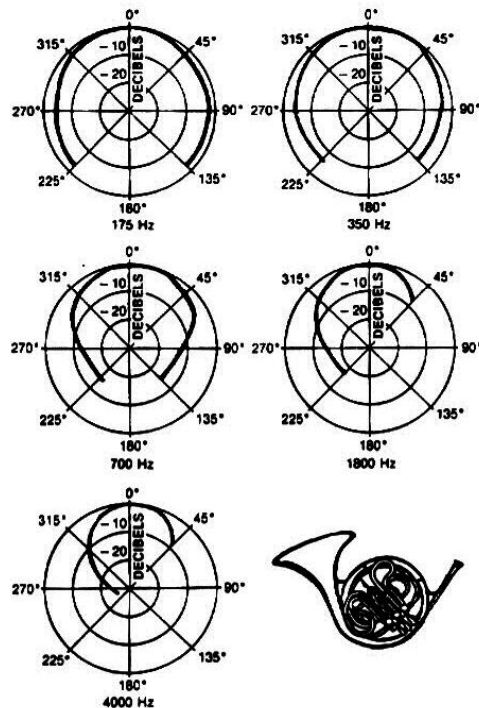
**FIGURE V-2** Directional characteristics of a violin for five different frequencies.



**FIGURE V-4** Directional characteristics of tuba for five different frequencies.



**FIGURE V-3** Directional characteristics of grand piano for five different frequencies.



**FIGURE V-5** Directional characteristics of French horn for five frequencies. (After Martin)